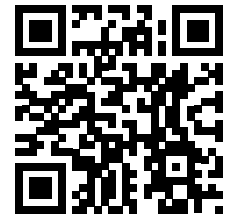


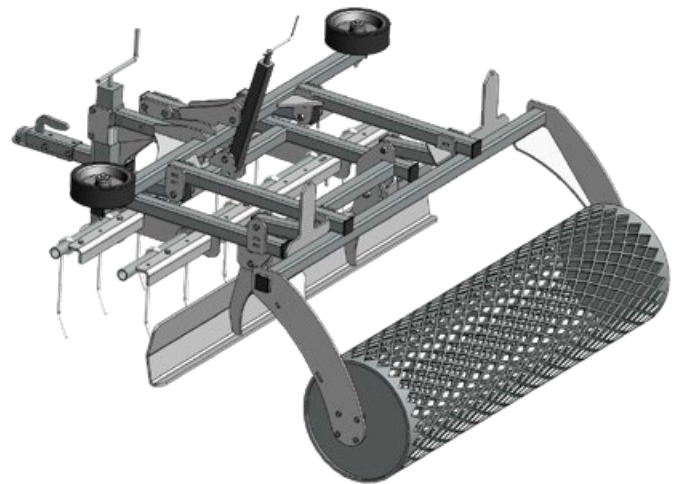
# HORSE ARENA HARROW

<http://tiny.cc/horsearenaharrow>



## FEATURES & BENEFITS

- Multi-function surface processing
- A professional harrow that makes it easy to keep the horse arena in top condition
- Can be adjusted for several kinds of riding surfaces
- Once the adjustments have been done the harrow is very easy to use



The horse arena harrow is designed to smooth and level sandy or mixed media horse riding surfaces. The harrow features multiple processes, beginning with the two sets of spring tines to break up the surface, a leveler to smooth and level the surface, and the compacting and spreader auger roller assembly that finishes the surface. The harrow also has side wheels that enable working along walls with no damage. Easily made adjustments enable weight and balance adjustments between the spring tines and roller/spreader assembly. Height adjustments to enhance processing difficult soils are made quickly and easily.

The harrow also has side wheels that enable working along walls with no damage. Easily made adjustments enable weight and balance adjustments between the spring tines and roller/spreader assembly. Height adjustments to enhance processing difficult soils are made quickly and easily.

**Note: the machine must be equipped with the trailer coupling.**

Model	Width	Working Depth	Weight	Code
160	160 cm (63 in)	0 - 9 cm (0 - 3.5 in)	290 kg (640 lbs)	<b>C891238</b>

Compatibility	1.1	2.3	4.2	5.2	5.3	6.3	7.2	8.4	8.5	11.6	11.9	EZ5	EZ7 EZ8
	Very compatible						Compatible			Not compatible			

