

# LEVELLING BUCKET

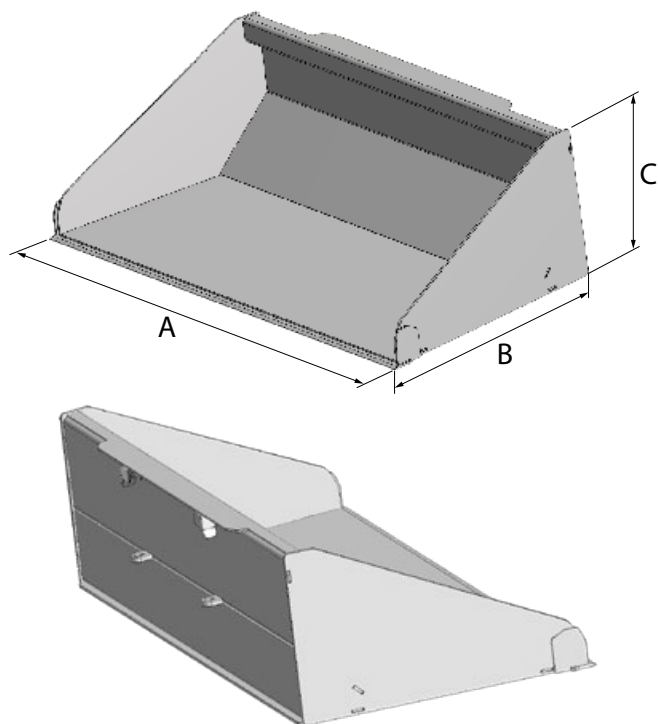
<http://tiny.cc/levellingbucket>



## FEATURES & BENEFITS

- Excellent visibility to the edge of the bucket
- Sharp back edge enables exact levelling when driving backward
- Heavy Duty construction
- Strong cutting edge made of high tensile, abrasion resistant wear steel

The MultiOne levelling bucket has a sharp back edge which makes levelling easy when driving backward. Low rise design and a long bottom gives excellent visibility to the front edge of the bucket. This also makes levelling easier. The levelling bucket is strong and completely plain inside, which makes the filling and emptying easy. It is an ideal tool to levelling gravel and soils for landscaping and gardening projects.



| Model | Volume*                      | Width (A)        | Length (B)      | Height (C)      | Weight           | Code           |
|-------|------------------------------|------------------|-----------------|-----------------|------------------|----------------|
| 140   | 244 l (8.6 ft <sup>3</sup> ) | 141 cm (55.5 in) | 79 cm (31.1 in) | 46 cm (18.1 in) | 150 kg (331 lbs) | <b>C890042</b> |
| 160   | 282 l (10 ft <sup>3</sup> )  | 161 cm (63.4 in) | 79 cm (31.1 in) | 46 cm (18.1 in) | 170 kg (375 lbs) | <b>C890043</b> |

(\* verify the lifting capacity of the machine)

| Compatibility | 1.1 | 2.3 | 4.2 | 5.2 | 5.3 | 6.3 | 7.2 | 8.4 | 8.5 | 11.6 | 11.9 | EZ5 | EZ7<br>EZ8 |
|---------------|-----|-----|-----|-----|-----|-----|-----|-----|-----|------|------|-----|------------|
| Model         |     |     |     |     |     |     |     |     |     |      |      |     |            |
| 140           |     |     |     |     |     |     |     |     |     |      |      |     |            |
| 160           |     |     |     |     |     |     |     |     |     |      |      |     |            |

Very compatible
  Compatible
  Not compatible

